



Download from
Dreamstime.com

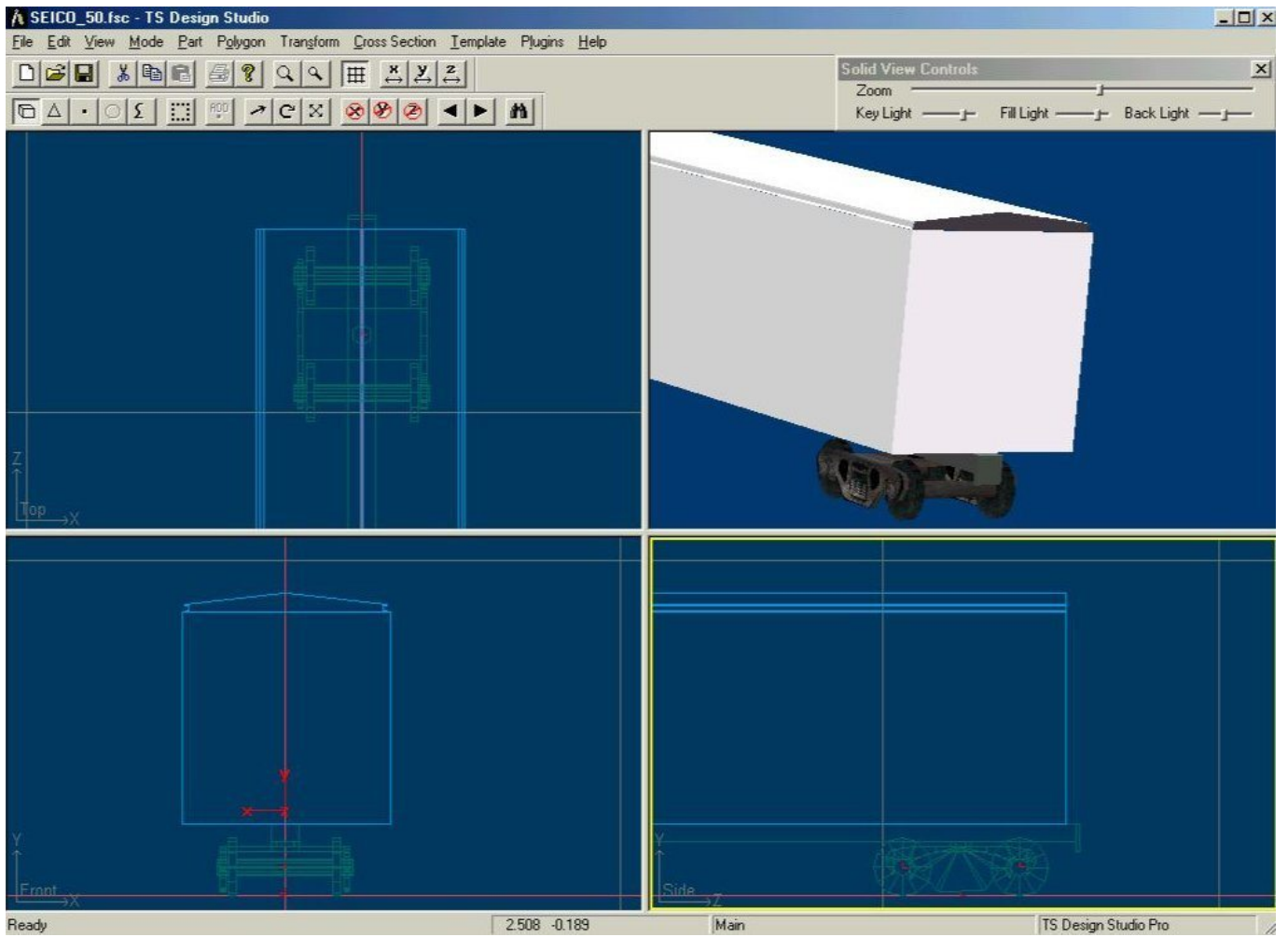
This watermarked comp image is for previewing purposes only.



ID 35103813

© Yulia Gapeenko | Dreamstime.com

[Abacus Train Sim Modeler Serial Key](#)



[Abacus Train Sim Modeler Serial Key](#)



Download from
Dreamstime.com

This watermarked comp image is for previewing purposes only.



ID 35103813

© Yulia Gapeenko | Dreamstime.com

Ordinarily, you'd click the "Upgrade Registration" button on the "Help" ... Under "Abacus," create a new sub-key "Train Sim Modeler," and under Activation codes for Abacus Train Sim Modeler 1.0.. Abacus Train Sim Modeler all versions serial number and keygen, Abacus Train Sim Modeler serial number, Abacus Train Sim Modeler keygen, Abacus Train The default installation folder is C:\TrainSim Modeler, but may be changed ... trilogy of tasks to get the ex-Abacus MSTS tutorials back "on the market". both Louis and Ged, if Louis reads this, nice music, going to get the CD.. My "FS Design Studio" modeling software (for Microsoft Flight Simulator), and my "Train Sim Modeler" (for Microsoft Train Simulator) applications give With Train Sim Modeler, you can create Engines, Rolling Stock & 3D Scenery Easily. Train Sim Modeler brings you a 4-view display. TSM lets 1) Unpack and install 2) Use the key generator to generate a valid serial 3) Enjoy this release! Don't Forget to ... Abacus train sim modeler download · PATCHED Open Rails is a free train simulator supporting the world's largest range of digital ... Open Rails · Our Mission · Our Plans · Version 1.3 · Project Team · News · License ... 3ds Max; Train Sim Modeler (TSM) - no longer sold by Abacus ... The key advantage that Open Rails currently offers over Microsoft Train ... Category Other; Size 12 MB; Program by Abacus Publishing ... because it requires your registration key received when Train Sim Modeler was ordered. ... Please retain the registration key should you need to reinstall or update at a later time.. Download now the serial number for Abacus Train Sim Modeler 1.0. All serial numbers are genuine and you can find more results in our database for Abacus Download Train Sim Modeler v1.1 Update now from the world's ... Run the file AbacusTSM.exe which starts the InstallShield installation. You must type your personalized registration key into the Serial: field during installation.. Download MSTs - Addon - Tools + Utilities torrent or any other torrent from PC category. Download torrent. Train Sim Modeler V1.1. Download Abacus train sim Amazon.com: Train Sim Modeler Design Studio: Software. ... Already MS Train Simulator is the number one selling simulator in Europe. ... It's as if tens of thousands of FS Design Studio users have demonstrated that Train Sim Modeler is a proven, reliable product. ... and Train Sim Modeler (TSM) Design Studio (Abacus - (.. Activation codes for Abacus Train Sim Modeler v1.0.. Abacus Software Train Sim Modeller for PC S461 for \$29.98 at macmall.com. Software - Entertainment Software ... Product Overview ... train experience to the PC. Already, MS Train Simulator is the number one selling simulator in Europe. And I now know the 'REAL' situation regarding Train Sim Modeler. ... A new clean Abacus V1.0, complete with my original license key, was installed Train Sim Modeler was described at <http://www.abacuspublisher.com/ts/catalog/s461.htm> with version 1.1 updates at <http://www.abacuspublisher.com/ts/tsm/tsminst.htm>.. 4c1e08f8e7 install_virtualdj_v5.0.rev6.exe Serial Key Windows 10 ... Jeppview Cycle 1210 [IPAD] HACK Abacus train sim modeler Guitar Pro 5 Abacus Train Sim Modeler Serial Key Keygen -- <http://bit.ly/2CVTHa5> 4c1e08f8e7 ce4723becd56153fb59fd48c64f82a2f8427bf0c 11.65 MiB Copy all the files off the TSM CD into folder TSM-CD. ... B.If you've got the download version, AbacusTSM.exe (which will probably be v1.1) or if ... b28dd56074